

IRD Swiss

IRD Swiss - Am Wasserwerk 7, D-08340 Schwarzenberg, Germany
Tel.: +49 (0) 3774-1807421, Fax: +49 (0) 3774-1807424
Mobil: +49 (0)178 8082390 eMail: ird-swiss@t-online.de

TOP-Angebot

absolut reduziert & Brand-Neu

Gamesa G87 T78 – 2MW Wind Turbinen

Sofort verfügbar – versandfertig zur EU-Verbringung



Bis zu 80 Anlagen brandneuer Gamesa G87 – 2mW Windturbinen -

ausgepreist für den schnellen Verkauf

in Summe 180MW von Gamesa G87 – T78 (50hz)

Nur €1,780,000 EUR per Anlage

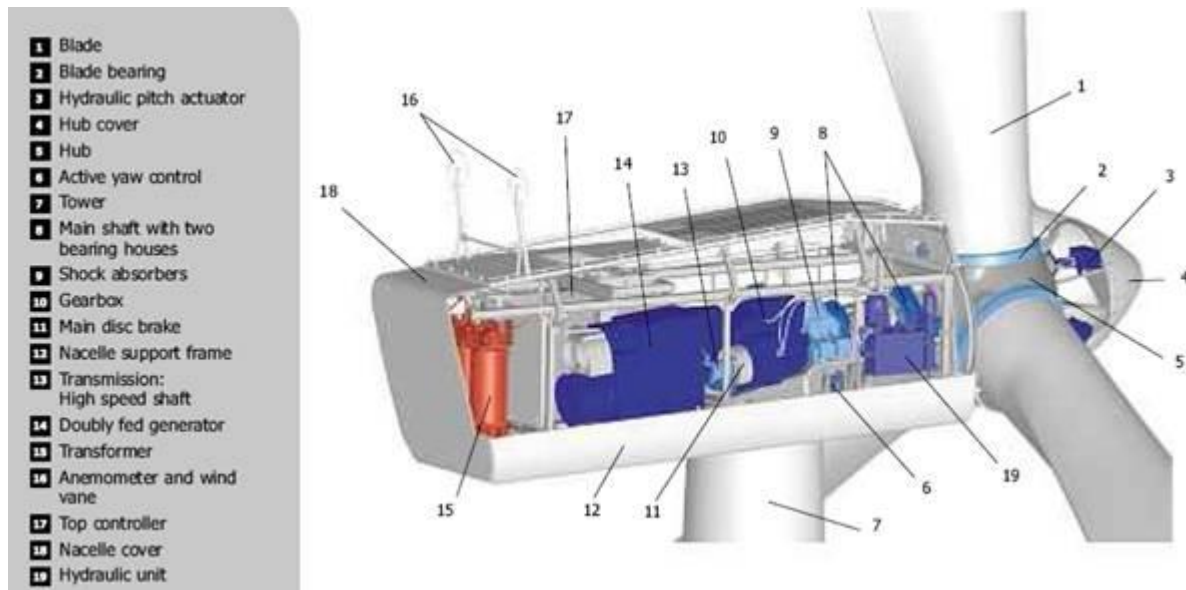
- ∅ **Inclusive Hersteller-Standard-Garantie**
- ∅ **No minimum order Menge**

Ø Terms – ExWorks

Süd Europa

Ø FOB und CIF Preise auf Anfrage

Ø Beachte: Diese Turbinen sind für 50Hz Frequenz ausgelegt!



Aufstellung und Inbetriebnahme kann begleitend angeboten werden!

Hier der Originaltext des Eigentümers:

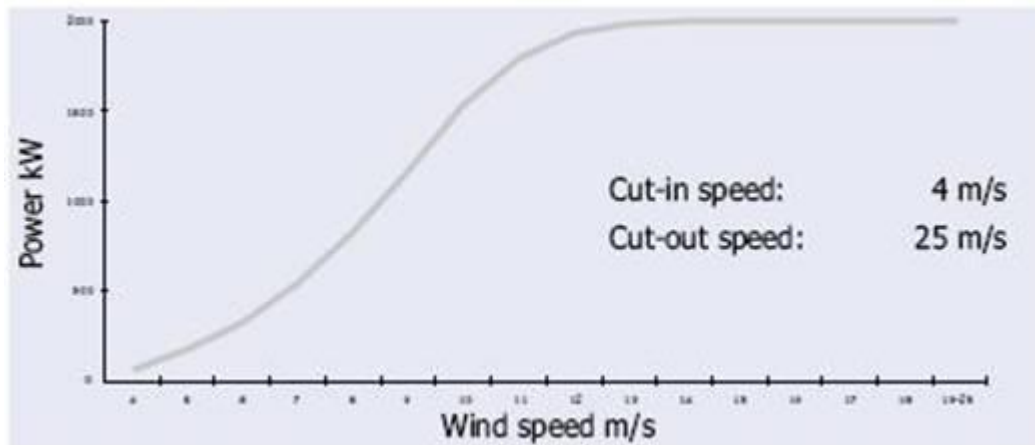
On behalf of one of our clients, we offer this one time opportunity to any buyer who wants to up their existing wind farm by a massive 180MW or for the immediate construction of a new wind farm project achieving huge savings on the price of any new 2mW wind turbines with no waiting time. These turbines can ship within weeks of signed contract with seller.





GAMESA G87 – T78 – 2MW

Hersteller Spezifikation:



GAMESA G87 – 2MW Power Curve

ROTOR:

Diameter 87 m
 Swept area 5,945 m²
 Rotational speed 9.0 - 19.0 rpm
 Rotational direction Clock Wise (front view)
 Weight (incl. Hub) Approx. 37 T
 Top head mass Approx. 107 T

BLADES:

Number of blades 3
 Length 42.5 m
 Airfoils DU (Delft University) + FFA-W3
 Material Pre-impregnated epoxy glass fiber + carbon fiber
 Total blade weight 6,150 kg

TUBULAR TOWER:

4 sections – Total height - 78m - Total weight - 203 Tons

GEAR BOX

Type 1 planetary stage /
 2 parallel stages
 Ratio 1:100.5 (50 Hz)
 Cooling Oil pump with oil cooler
 Oil heater 2.2 Kw

GENERATOR:

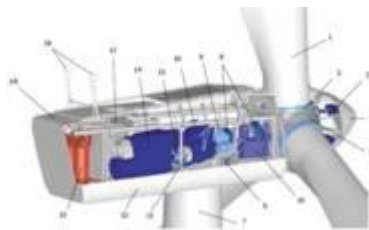
Type Doubly-fed machine

Rated power 2.0 MW
Voltage 690 V ac
Frequency 50 Hz / 60 Hz
Protection class IP 54
Number of poles 4
Rotational speed 900: 1,900 rpm (rated 1,680 rpm) (50 Hz)
1,080: 2,280 rpm (rated 2,016 rpm) (60 Hz)
Rated Stator Current 1,500 A @ 690 V
Power factor (standard) 0.98 CAP - 0.96 IND at partial loads and 1 at nominal power.*
Power factor (optional) 0.95 CAP - 0.95 IND throughout the power range.*

For immediate sale – Priced to sell quick

Gamesa G87 T78 – 2MW Wind Turbines

Available NOW – Ready to ship anywhere in the world



**A staggering 180MW of Gamesa G87 – T78 (50hz)
Brand New Wind Turbines**



**Including 78m towers, transformers and
manufacturer's warranty**

Only €1,780,000 EUR per unit

